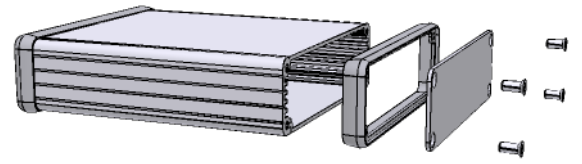
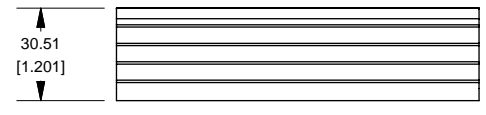
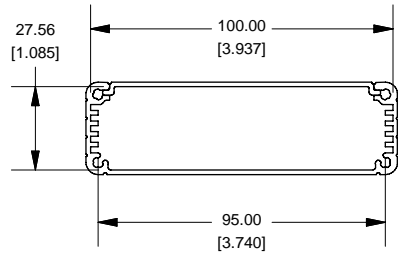
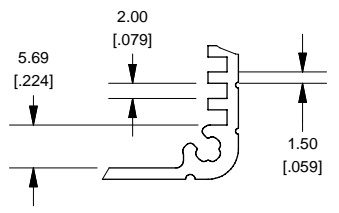


Extrusion

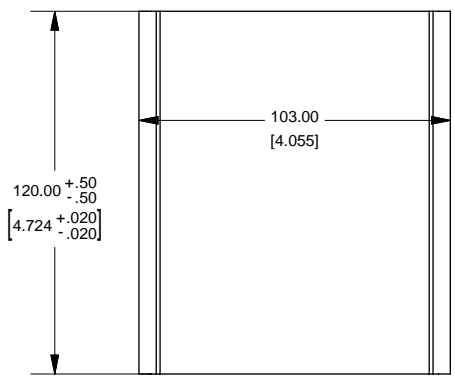
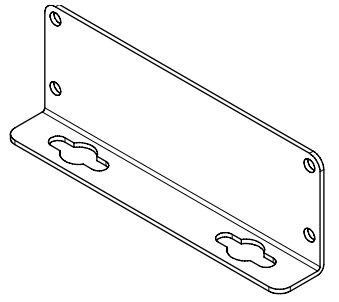
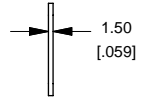
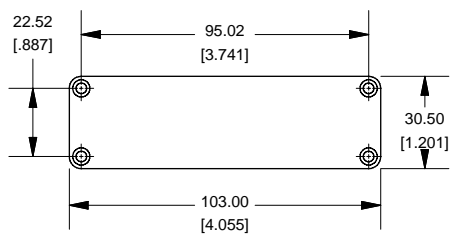


EXTRUSION DESIGNED FOR 100MM WIDE PC BOARD

Slot Details

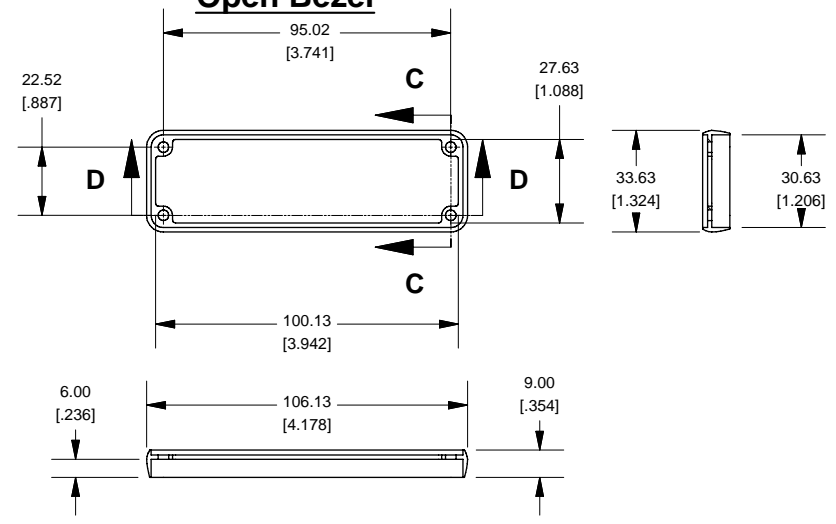


End Plate



OPTIONAL FLANGE END PANELS 1455LF

Open Bezel



NOTE
 Purchased assembly includes box, plastic bezels, end panels, #6 Taptight screws and self adhesive rubber feet.
 Box made from Extruded Aluminum 6063.
 Bezels made with polycarbonate.

1455L1201	
PART NUMBERS	
Clear Anodized	1455L1201
Black Anodized	1455L1201BK
ACCESSORIES	
See website for accessories.	

1455L1201
www.hammondmfg.com

Enclosures can be Factory Modified (Milling, Drilling, Printing etc.)
 Solid models of this enclosure available in STEP or IGES.
 Contact Factory mjm@hammondmfg.com